




Position	Count	Description	Unit price
	1	<p>CRK 4-60/6 U-W-A AUUV</p>  <p>Product photo could vary from the actual product</p> <p>Product No.: 41Z97105 Multistage, immersible, self-priming, centrifugal pump for vertical installation in tanks etc.</p> <p>The pump has the following characteristics:</p> <ul style="list-style-type: none"> - Installation length according to DIN 5440. - Impellers, intermediate chambers and spline shaft are made of Stainless steel. - Mechanical shaft seal according to DIN 24960. - Power transmission via cast iron split coupling. <p>The motor is a 3-phase AC motor.</p> <p>Liquid: Liquid temperature range: 32 .. 194 °F</p> <p>Technical: Rated flow: 26.42 US gpm Rated head: 203 ft Shaft seal: AUUV Approvals on motor nameplate: UL Recognized Component, CSA Curve tolerance: ISO 9906 Annex A</p> <p>Materials: Pump head: Cast iron EN-JL1030 DIN W.-Nr. A48-30 B ASTM Impeller: Stainless steel 1.4301 DIN W.-Nr. 304 AISI</p> <p>Installation: Maximum ambient temperature: 104 °F Pipe connection: 1 1/4" NPT Flange size for motor: 182TC</p> <p>Electrical data: Motor type: Baldor, TEFC Rated power - P2: 3 HP</p>	On request



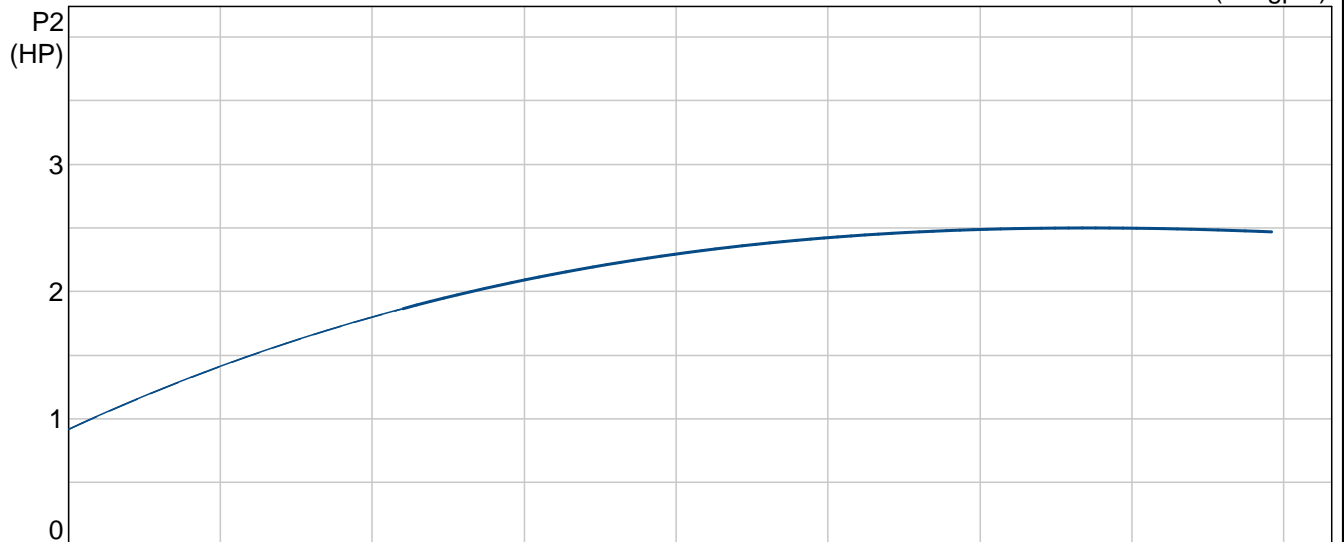
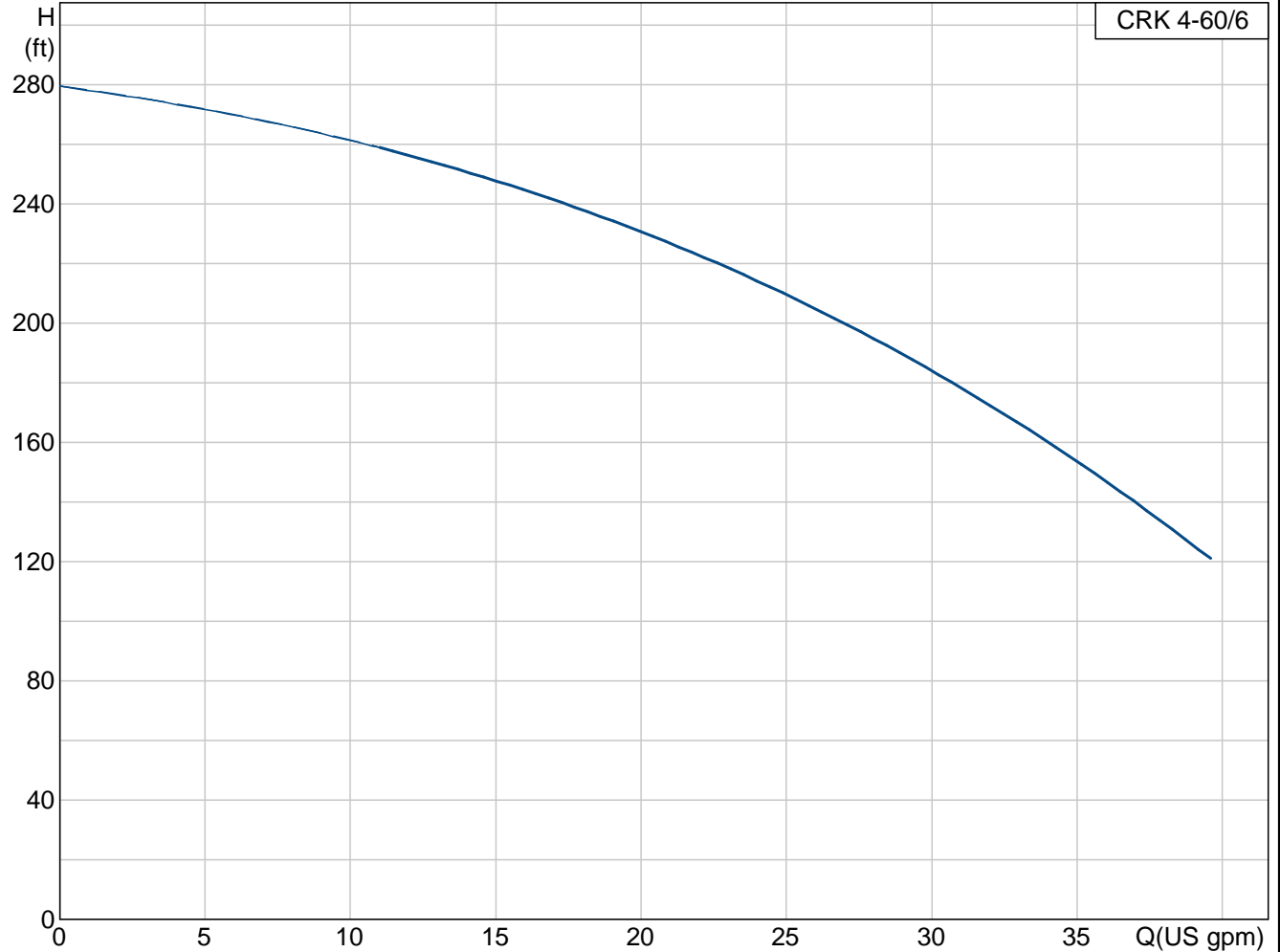
Company name: -
Created by: -
Phone: -
Fax: -
Date: -

Position	Count	Description	Unit price
		<p>Main frequency: 60 Hz Rated voltage: 3 x 208-230 / 460 V Service factor: 1,15 Rated current: 8.2-7.8 / 3.9 A Starting current: 77.4-70 / 35 A Cos phi - power factor: 0,89 Rated speed: 3450 rpm Motor efficiency at full load: 81,5 % Insulation class (IEC 85): F</p>	



Company name: -
Created by: -
Phone: -
Fax: -
Date: -

41Z97105 CRK 4-60/6



Description	Value
Product name:	CRK 4-60/6 U-W-A AUUV
Product No.:	41Z97105
EAN:	5700394552745

Technical:	
Rated flow:	26.42 US gpm
Rated head:	203 ft
Impellers:	6
Shaft seal:	AUUV
Approvals on motor nameplate:	UL Recognized Component, CSA
Curve tolerance:	ISO 9906 Annex A
Pump Number:	41920066
Stages:	6
Pump version:	U

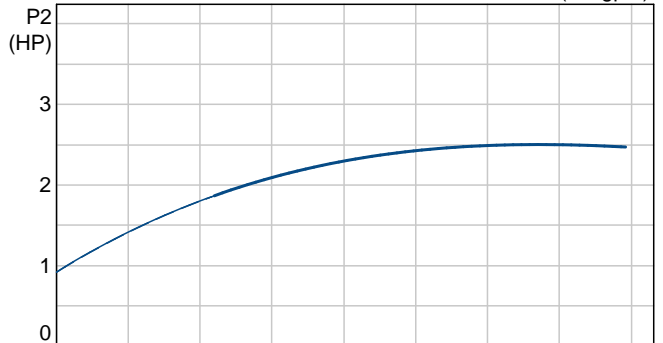
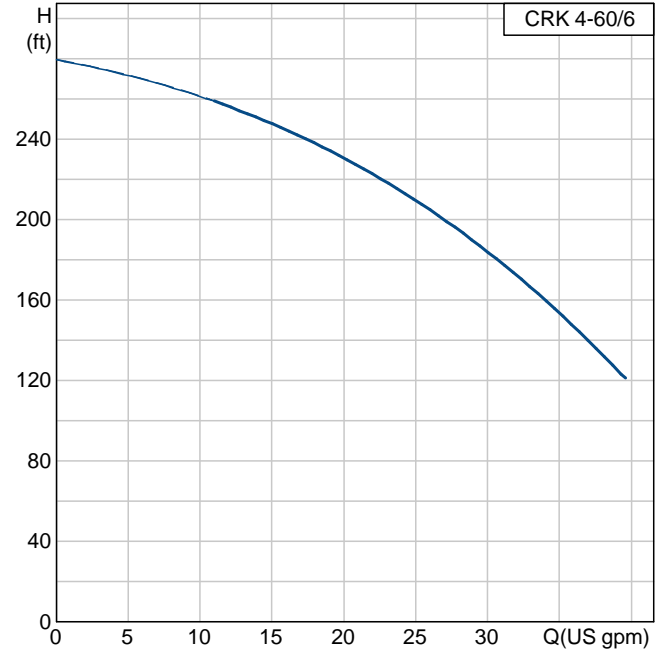
Materials:	
Pump head:	Cast iron EN-JL1030 DIN W.-Nr. A48-30 B ASTM
Impeller:	Stainless steel 1.4301 DIN W.-Nr. 304 AISI
Material code:	A

Installation:	
Maximum ambient temperature:	104 °F
Connect code:	W
Pipe connection:	1 1/4" NPT
Flange size for motor:	182TC

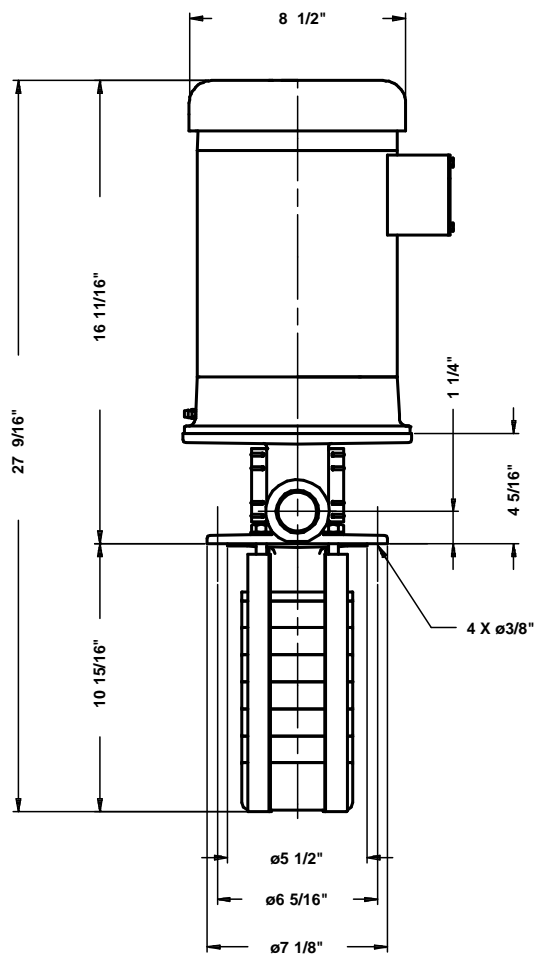
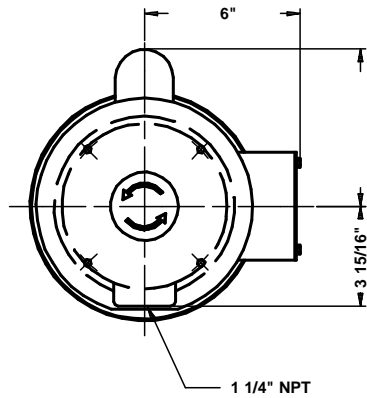
Liquid:	
Liquid temperature range:	32 .. 194 °F

Electrical data:	
Motor type:	Baldor, TEFC
Rated power - P2:	3 HP
KVA code:	K
Main frequency:	60 Hz
Rated voltage:	3 x 208-230 / 460 V
Service factor:	1,15
Rated current:	8.2-7.8 / 3.9 A
Starting current:	77.4-70 / 35 A
Load current:	9.2-8.8 / 4.4 A
Cos phi - power factor:	0,89
Rated speed:	3450 rpm
Motor efficiency at full load:	81,5 %
Insulation class (IEC 85):	F
Motor protection:	None
Motor Number:	85600008

Others:	
Sales region:	Namreg



41Z97105 CRK 4-60/6



All units are [mm] unless otherwise presented.